

Trace Coffee Table

Technical Specifications

Tait.

UPDATED · 30.04.24



Defined by its dynamic interplay of materials, trademark detailing and elegant proportion, the Trace Coffee Table is a luxury outdoor coffee table. Designed by Adam Goodrum for Tait, it is an exploration of texture, colour and substance. High-performance materials that have been engineered to withstand harsh environmental conditions, Trace's enduring beauty is matched only by its resilience.

- Aluminium frame
- Detachable powder coated aluminium legs
- UV stable powder coat
- Sustainable timber or Porcelain top options
- UV stable nylon glides

Refined luxury, elegant form and sensory detail define the Trace Coffee Table. Designed by [Adam Goodrum](#), Trace is contemporary, original and considered.

Characterised by a dynamic interplay of materials, trademark detailing and lavish proportions, the Trace collection is an exploration of texture, colour and form. Goodrum's fascination with generous form, woven detail and material continuity reveals itself throughout the collection.

The Trace Collection is esteemed by architects and designers alike for its ability to speak to a wide range of residential and commercial contexts as well as the assurance of quality craftsmanship and longevity.

A fully resolved and comprehensive resort-style collection comprising an [Armchair](#), [Sofa](#), [Modular System](#), [Sunlounger](#), [Coffee Table](#), [Drinks Trolley](#), [Planters](#), [Dining Table](#) and [Bench Seating](#), Trace is the ultimate expression of outdoor luxury.

Fabricated and assembled with expert craftsmanship, employing aluminium, stainless steel mesh, sustainable timbers and marbled porcelain materials, Trace's enduring beauty is matched by its resilience.

All Tait pieces are made locally and come with a 5-year warranty.

Tait's original designs are protected under design registration and copyright.



POWDER COAT

TEXTURED POWDER COAT COLOURS



TOP OPTION

TIMBER



PORCELAIN



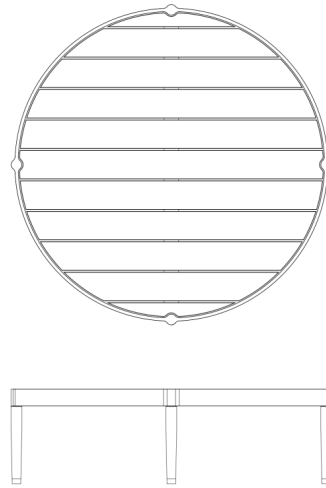
ROUND - LOW

950mm_W

950mm_D

290mm_H

86.5in W x 34.25in D x 26.5in. H



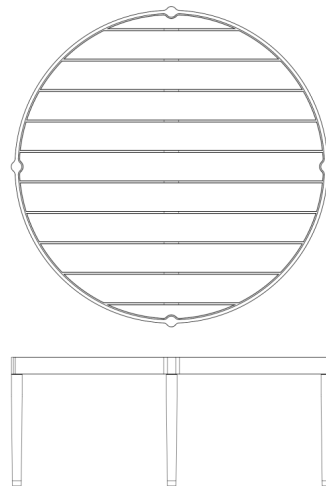
ROUND - HIGH

950mm_W

950mm_D

390mm_H

86.5in W x 34.25in D x 26.5in. H



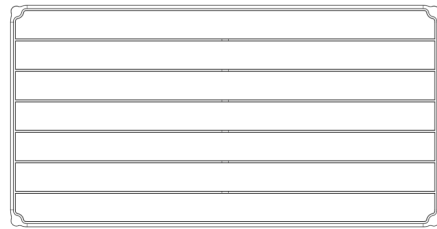
RECTANGLE - LOW

1270mm_w

655mm_D

290mm_H

86.5in W x 34.25in D x 26.5in. H



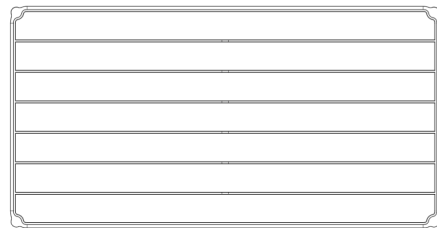
RECTANGLE - HIGH

1270mm_w

655mm_D

390mm_H

86.5in W x 34.25in D x 26.5in. H



How to care for your Trace Coffee Table



GENERAL CARE

At Tait, we make products for life. Our products are crafted from high-performance materials designed to withstand the diverse Australian elements. We nurture our craft, combining timeless and cutting-edge designs with beautiful finishes in order to elevate your outdoor (or indoor) experience.

Our collections are handcrafted from weather-resistant materials, making each piece a durable choice. In order to maintain their look and feel over time, Tait items need ongoing care and maintenance. The frequency of maintenance will vary depending on the level of care you want to provide, your personal standards and requirements as well as the environment within which the product lives.

Careless handling, treatment or misuse of our products can result in damage and is not covered under our five-year structural warranty. Please click through to the care instructions relevant to the specific materials and finishes of your product, and refer to the list to the right for warranty exclusions.

EXCLUSIONS

The warranty does not cover damage from mishandling, misuse, physical or chemical abuse, by not following proper care and maintenance instructions, accidental damage, damage from chipping, cracking, impact damage or breaking due to customer abuse.

- The warranty does not cover fading or natural ageing of the timber, non-structural defects in the timber, naturally occurring timber features, surface and end checking, or lack of maintenance leading to an acceleration of any of these issues.
- The warranty does not cover corrosion originating from scratches or abrasions that result from general wear and tear and which cannot be removed via standard cleaning and maintenance processes.
- The warranty does not cover any occurrence of any detritus, organic or man-made matter settling on the product surface. The warranty excludes buildup of mineral deposits leaching from soils and fertilisers, should it occur on Tait's planters. Nor does this warranty cover any product corrosion directly caused by aforementioned matter.
- The warranty does not cover minor corrosion spots at the weld joints: under table tops, bases and seat frames. These do not affect the structural integrity of the product and are a natural outcome of the material used.
- The warranty does not cover the corrosion of steel furniture and parts, including stainless steel, as a result of direct use in harsh seafront locations or in a confined, chlorinated environment.
- The warranty does not cover product damage caused by the build-up of mould due to environmental factors such as wet weather, damp and humidity
- The warranty does not apply to normal wear and tear or natural fading of the materials used.
- The warranty does not apply to any variances in colour, shade or gloss level of finishes, stone tops and timbers.
- The warranty does not cover products that the customer decides they do not like following delivery, including to colour, fabric, timber or other opinions based on personal preference.
- Tait shall not be liable for, and specifically excludes, any claims caused directly or indirectly by any event or matter beyond its control, including incidental, consequential or contingent damages suffered as a result of the use of the furniture or a breach of this warranty either written or implied.
- All products purchased at a sale price are subject to the specific warranty conditions outlined on sale invoice.
- The warranty does not cover transportation costs for replacement parts and products or labour costs for repair. These costs may be charged at our discretion.
- The warranty does not cover goods which have been held in storage for any period. This is due to the potential impact of environmental extremities which may be present within certain storage facilities.

The above Tait warranty terms are accepted by the customer and end-user upon order and supply.

POWDER COAT

CARE & MAINTENANCE

Wash regularly with warm soapy water and mild detergent using a soft cloth. For commercial, industrial or marine environments we recommend monthly maintenance. Always rinse well with water, to remove any remaining detergent.

Avoid steam cleaning, pressure washing, abrasive cleansers, steel brushes/wools and cleaners containing chlorine. Avoid scratching the surface by dry dusting. Never use strong solvents to clean powder coated surfaces. Aggressive solvents such as turpentine, white spirits, thinners, citrus based cleaners, Spray and Wipe, and other aggressive solvents are harmful to the extended life of the powder coated surface. Do not allow detritus, organic or man-made matter to settle on the product surface. We recommend removing any buildup of mineral deposits leaching from soils and fertilisers, should it occur on Tait's planters.

Rough treatment of powder-coated furniture can result in chipping of the coated surface; this is not covered under warranty.

Most Tait products come with protective fittings - stacking glides, bumpers, socks/feet and glides. These aid in protection against chipping and scratching. Powder coated chairs are designed to be set in place gently.

Touch-up paint may be purchased on request. It is advisable to repair minor nicks and scratches as soon as they appear.

When placing a furniture cover over a table for an extended period of time, it is recommended to first place an empty plastic pot plant in the centre of the table, then placing the furniture cover over the top. This will prevent the possibility of the furniture cover adhering to the table surface.

Should you wish to touch up any blemishes which may occur, please contact your nearest Tait showroom and request a Powder Coat Touch Up Kit. Please follow our Powder Coat Touch Up

How to care for your Trace Coffee Table

Tait.

Guide (available under 'Dimensions and Specs - Download Assets' on the product page) for application details.

WARRANTY

Powder coat is a decorative finish for indoor and outdoor use. While it assists with metal protection, it is not a corrosion protection in its own right. The components of Tait powder coated products are produced in either aluminium, stainless steel or mild steel.

The mild steel base materials are treated with two levels of pre-protection that guard against corrosion. The products are then powder coated to make the surface resistant to corrosion and suitable for use in exterior environments.

Minor corrosion spots at the weld joints - under table tops, bases and seat frames, may be evident on mild steel products. These do not affect the structural integrity of the product and are not covered by the Tait warranty.

Whilst every care is taken to provide the most suitable finish according to the use and the environment the product will be subjected to, Tait cannot guarantee this decorative finish against scratching, scuffing, chipping, fading or corrosion as a result of use in harsh seafront, extreme or environments where chlorine is present.

Tait offer a range of powder coat colours which offer excellent UV stability and are suitable for use in outdoor applications. Whilst powder coat offers excellent colour retention, natural fading is not covered under the Tait warranty. To ensure longevity of this finish please refer to the care and maintenance.

The warranty does not cover any occurrence of detritus, organic or man-made matter settling on the product surface. The warranty also excludes buildup of mineral deposits leaching from soils and fertilisers, should it occur on the surface of Tait's planters. Nor does this warranty cover any product corrosion directly caused by aforementioned matter.

Tait assume no responsibility for product damage caused by the use of furniture covers.

PORCELAIN

CARE & MAINTENANCE

Porcelain is both stylish and practical. Tait recommends porcelain as it is one of the best low maintenance, durable and reliable surface options.

Being non-porous, porcelain is hygienic, it offers stain, scratch and thermal shock resistance and is suited for use in external environments. Because colour is fired into the tile's body, the colour will not fade even when exposed to direct sunlight and its colour-sucking UV rays.

In caring for your porcelain surface,

DO:

- Regular, basic cleaning with warm water, mild soap and a soft, non-abrasive cloth
- Use gentle, everyday multipurpose spray cleaner
- Immediately wash away stains such as red wine, food, oils and drinks
- For stubborn stains use a gentle, every day, non-abrasive, multipurpose spray cleaner, sugar soap, cream-based house cleaners or bicarbonate soda mixed with warm water
- Always dry your porcelain thoroughly after cleaning

DO NOT:

- Use cleaning products that contain acids, ammonia or other harsh chemicals
- Expose porcelain to permanent inks or dyes
- Use sharp utensils on a porcelain top
- Sit or stand on

When placing a furniture cover over a table for an extended period of time, it is recommended to first place an empty plastic pot plant in the centre of the table, then placing the furniture cover over the top. This will prevent the possibility of the furniture cover adhering to the table surface.

While porcelain is resistant to scratches, etches and stains, it is not damage proof. Careless handling, treatment or misuse of our products can result in damage and is not covered under our manufacturer's warranty.

WARRANTY

Porcelain panels are scratch resistant, not scratch proof. They will easily withstand daily use. Always using cutting boards when preparing food, and avoid sliding heavy metallic objects along service, to protect it from scratching and scuffing.

Porcelain products are bound by the warranty of the supplier. Tait provides no warranty direct or indirect, implied or referred.

Tait assume no responsibility for product damage caused by the use of furniture covers.

SUSTAINABLE TIMBER

CARE & MAINTENANCE

Tait selects premium Accoya Timber and Smoked Oak engineered timbers that provide superior rot-resistance, defy the elements and stay strong for decades and are manufactured using clean technologies and sustainably sourced.

Accoya® Timber is modified by acetylation. Acetylation is a non-toxic process in which radiata pine is soaked in an organic compound related to vinegar, making the wood more resistant to moisture, insects, and rot.

Smoked Oak is thermally modified timber. Thermally modified timber is heated using a totally 'green' chemical-free process to permanently change its properties. Essentially, the timber stops absorbing water and becomes a stable, durable product that resists shrinkage, swelling, decay, rot, mould and insect attack.

Tait's Osmo oil finish is specially formulated for high-performance timbers. To comply with warranty requirements, cleaning and maintenance of timbers are obligatory.

Surface clean the timber components of your outdoor furniture pieces at least twice a year. Wash the surfaces thoroughly with a soft cloth, using warm soapy water to remove dust, grime and insects. A build-up of dust and grime can lead to the increased growth of green algae, mould and other surface fouling. Always rinse well with water, to remove any remaining detergent and allow to dry.

Avoid pressure washing, abrasive cleansers, steel brushes/wools and cleaners containing chlorine. Never use strong solvents to clean timber surfaces. Aggressive solvents such as turpentine, white spirits, thinners, citrus based cleaners, Spray and Wipe, and other aggressive solvents are harmful to the extended life of the timber.

Recoating your timber

To restore the original appearance of timber please contact Tait's customer service (customerservice@madebytait.com.au) to request a maintenance kit and follow the Osmo Oil Reapplication Guide (under "Dimension Specs - Download Assets" on the website product page of your Tait product).

When placing a furniture cover over any table for an extended period of time, it is recommended to first place an empty plastic pot plant in the centre of the table, then placing the furniture cover over the top. This will prevent the possibility of the furniture cover adhering to the table surface.

Careless handling, treatment or misuse of our products can result in damage and is not covered under our manufacturer's warranty.

WARRANTY

Accoya® timber is perfect for exterior furniture applications. The Accoya® timber component is covered for 1 year from the date of purchase, subject to proper maintenance by the purchaser and fair wear and tear. Accoya timber is treated Radiata Pine, is a softwood therefore subject to denting.

Smoked Oak is a thermally modified timber. The Smoked Oak timber component is covered for 1 year from the date of purchase, subject to proper maintenance by the purchaser and fair wear and tear.

End and surface checking may appear and is not claimable under warranty.

Any changes in the visual appearance of timber that are directly linked to ageing are not covered by warranty. As timber is a living material, the appearance of its surface evolves naturally over time.

Tait recommends maintenance as required with Osmo Oil to reduce colour loss, dryness and weathering. Engineered timbers that have been treated with tinted Osmo Oil may fade when placed in direct sunlight. This is not covered by the Tait warranty.

The warranty does not cover product damage caused by the build-up of mould due to environmental factors such as wet weather, damp and humidity

Tait assumes no responsibility for product damage caused by the use of furniture covers.

SUITABLE FOR



OUTDOORS



HIGH UV

FEATURES



MADE IN AUSTRALIA



RECYCLABLE MATERIALS



SUSTAINABLE TIMBER



5 YEAR STRUCTURAL WARRANTY