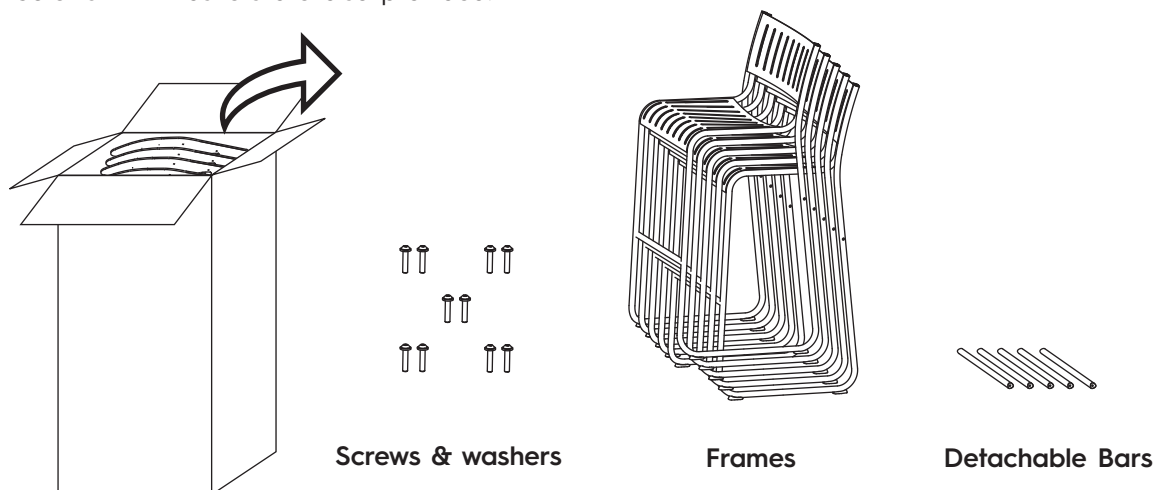
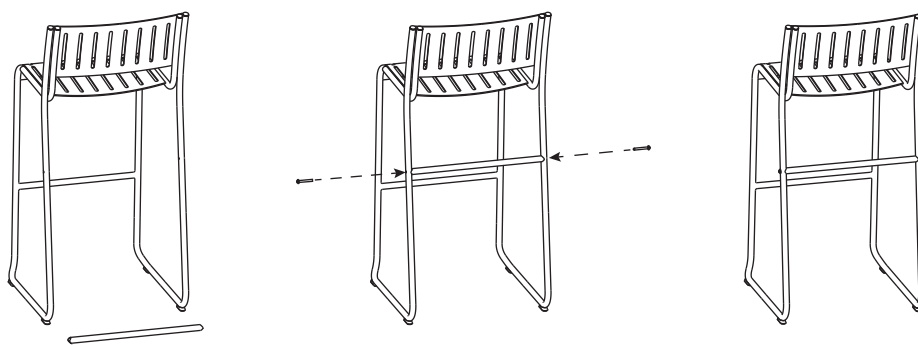


Cycle Barstool Assembly Guide

1. Cycle Barstools are supplied stacked in a single box - maximum of 5 per box. Screws with washers are also provided.



2. Place a frame on a secure, clean surface, and align the detachable bar with the holes in the back legs. Loosely thread in the supplied M6 screw with washer, then using an allen key tighten the screws.



3. Return the Barstool to the correct way around and check the screws are tight enough, if not repeat step 2

