

Billy Chair - Timber

Technical Specifications

Tait.

UPDATED - 17.04.24



The Billy Chair emerges as a harmonious blend of nostalgia and contemporary design, echoing the spirit of suburban Australian creativity and innovation. Inspired by the playful memories of billy carts careening down sunlit streets and times when modernist designers weaved tubular form into hills hoists, the collaboration between Industrial Designer Adam Goodrum and the Tait Design Studio brings forth a truly unique piece.

- Stainless steel frame
- UV stable powder coat or electropolished finish
- Powdercoated Aluminium or Accoya Timber seat
- Nylon snap-on glides
- Optional armrest
- Optional low back or high back cushions

Rooted in a process of nostalgic reflection and playful experimentation and embodying thoughtful ergonomics and versatility, the Billy Chair has a stainless-steel frame and Accoya timber seat. Manufactured in Melbourne and designed to withstand harsh Australian conditions, the Billy Chair invites individuals to experience comfort and style in equal measure.

The Billy Collection includes the Chair, Lounger, Sunlounge, Dining Table, Easy Dining Table, Stool or Side Table, Bar Cart and upholstery options for the Billy Chair, Lounger and Sunlounge. The stainless-steel tubular frames can be electropolished or powder coated in a selection of over 20 UV-stable satin or textured powder coat colour palettes, with the Accoya timber option available in a range of six coloured stains using environmentally responsible oils. Continuing the nod to nostalgia, the Billy upholstery follows the curves of the frames with a contrasting piping constructed from 100% recycled fabric Noosa, available in 14 colours.

Underpinned by our commitment to sustainability and spanning commercial to residential and hospitality to corporate applications, each piece in this comprehensive collection is designed for outdoor use, though it is equally at home indoors.



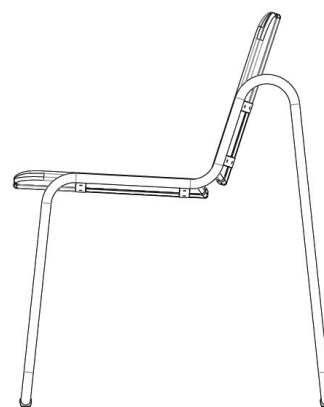
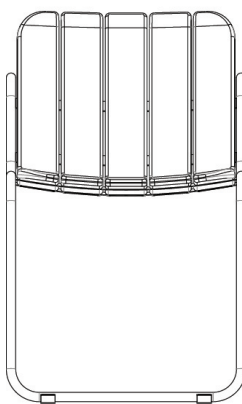
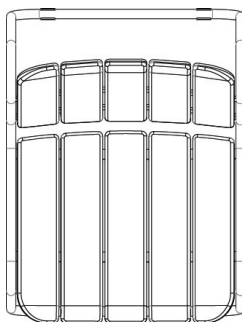
BILLY DINING CHAIR

490mm_w

630mm_D

810mm_H

86.5in W x 34.25in D x 26.5in. H
Seat Height 450mm



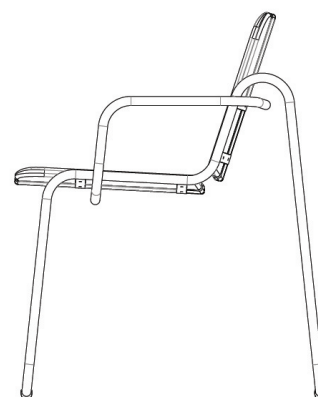
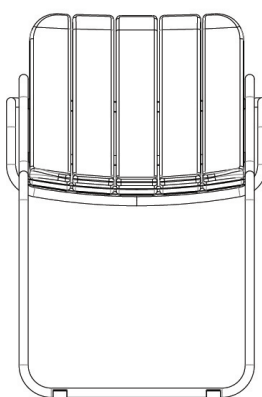
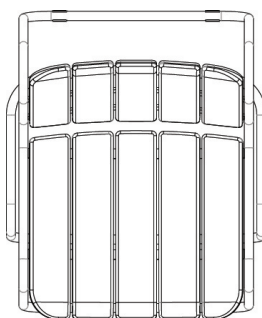
BILLY DINING CHAIR WITH ARMS

540mm_w

630mm_D

810mm_H

86.5in W x 34.25in D x 26.5in. H
Seat Height 450mm Armrest Height 615mm



GENERAL CARE

At Tait, we make products for life. Our products are crafted from high-performance materials designed to withstand the diverse Australian elements. We nurture our craft, combining timeless and cutting-edge designs with beautiful finishes in order to elevate your outdoor (or indoor) experience.

Our collections are handcrafted from weather-resistant materials, making each piece a durable choice. In order to maintain their look and feel over time, Tait items need ongoing care and maintenance. The frequency of maintenance will vary depending on the level of care you want to provide, your personal standards and requirements as well as the environment within which the product lives.

Careless handling, treatment or misuse of our products can result in damage and is not covered under our five-year structural warranty. Please click through to the care instructions relevant to the specific materials and finishes of your product, and refer to the list to the right for warranty exclusions.

EXCLUSIONS

The warranty does not cover damage from mishandling, misuse, physical or chemical abuse, by not following proper care and maintenance instructions, accidental damage, damage from chipping, cracking, impact damage or breaking due to customer abuse.

- The warranty does not cover fading or natural ageing of the timber, non-structural defects in the timber, naturally occurring timber features, surface and end checking, or lack of maintenance leading to an acceleration of any of these issues.
- The warranty does not cover corrosion originating from scratches or abrasions that result from general wear and tear and which cannot be removed via standard cleaning and maintenance processes.
- The warranty does not cover any occurrence of any detritus, organic or man-made matter settling on the product surface. The warranty excludes buildup of mineral deposits leaching from soils and fertilisers, should it occur on Tait's planters. Nor does this warranty cover any product corrosion directly caused by aforementioned matter.
- The warranty does not cover minor corrosion spots at the weld joints: under table tops, bases and seat frames. These do not affect the structural integrity of the product and are a natural outcome of the material used.
- The warranty does not cover the corrosion of steel furniture and parts, including stainless steel, as a result of direct use in harsh seafront locations or in a confined, chlorinated environment.
- The warranty does not cover product damage caused by the build-up of mould due to environmental factors such as wet weather, damp and humidity
- The warranty does not apply to normal wear and tear or natural fading of the materials used.
- The warranty does not apply to any variances in colour, shade or gloss level of finishes, stone tops and timbers.
- The warranty does not cover products that the customer decides they do not like following delivery, including to colour, fabric, timber or other opinions based on personal preference.
- Tait shall not be liable for, and specifically excludes, any claims caused directly or indirectly by any event or matter beyond its control, including incidental, consequential or contingent damages suffered as a result of the use of the furniture or a breach of this warranty either written or implied.
- All products purchased at a sale price are subject to the specific warranty conditions outlined on sale invoice.
- The warranty does not cover transportation costs for replacement parts and products or labour costs for repair. These costs may be charged at our discretion.
- The warranty does not cover goods which have been held in storage for any period. This is due to the potential impact of environmental extremities which may be present within certain storage facilities.

The above Tait warranty terms are accepted by the customer and end-user upon order and supply.

POWDER COAT

CARE & MAINTENANCE

Wash regularly with warm soapy water and mild detergent using a soft cloth. For commercial, industrial or marine environments we recommend monthly maintenance. Always rinse well with water, to remove any remaining detergent.

Avoid steam cleaning, pressure washing, abrasive cleansers, steel brushes/wools and cleaners containing chlorine. Avoid scratching the surface by dry dusting. Never use strong solvents to clean powder coated surfaces. Aggressive solvents such as turpentine, white spirits, thinners, citrus based cleaners, Spray and Wipe, and other aggressive solvents are harmful to the extended life of the powder coated surface. Do not allow detritus, organic or man-made matter to settle on the product surface. We recommend removing any buildup of mineral deposits leaching from soils and fertilisers, should it occur on Tait's planters.

Rough treatment of powder-coated furniture can result in chipping of the coated surface; this is not covered under warranty.

Most Tait products come with protective fittings – stacking glides, bumpers, socks/feet and glides. These aid in protection against chipping and scratching. Powder coated chairs are designed to be set in place gently.

Touch-up paint may be purchased on request. It is advisable to repair minor nicks and scratches as soon as they appear.

When placing a furniture cover over a table for an extended period of time, it is recommended to first place an empty plastic pot plant in the centre of the table, then placing the furniture cover over the top. This will prevent the possibility of the furniture cover adhering to the table surface.

Should you wish to touch up any blemishes which may occur, please contact your nearest Tait showroom and request a Powder Coat Touch Up Kit. Please follow our Powder Coat Touch Up

How to care for your Billy Chair – Timber

Tait.

Guide (available under 'Dimensions and Specs - Download Assets' on the product page) for application details.

WARRANTY

Powder coat is a decorative finish for indoor and outdoor use. While it assists with metal protection, it is not a corrosion protection in its own right. The components of Tait powder coated products are produced in either aluminium, stainless steel or mild steel.

The mild steel base materials are treated with two levels of pre-protection that guard against corrosion. The products are then powder coated to make the surface resistant to corrosion and suitable for use in exterior environments.

Minor corrosion spots at the weld joins - under table tops, bases and seat frames, may be evident on mild steel products. These do not affect the structural integrity of the product and are not covered by the Tait warranty.

Whilst every care is taken to provide the most suitable finish according to the use and the environment the product will be subjected to, Tait cannot guarantee this decorative finish against scratching, scuffing, chipping, fading or corrosion as a result of use in harsh seafront, extreme or environments where chlorine is present.

Tait offer a range of powder coat colours which offer excellent UV stability and are suitable for use in outdoor applications. Whilst powder coat offers excellent colour retention, natural fading is not covered under the Tait warranty. To ensure longevity of this finish please refer to the care and maintenance.

The warranty does not cover any occurrence of detritus, organic or man-made matter settling on the product surface. The warranty also excludes buildup of mineral deposits leaching from soils and fertilisers, should it occur on the surface of Tait's planters. Nor does this warranty cover any product corrosion directly caused by aforementioned matter.

Tait assume no responsibility for product damage caused by the use of furniture covers.

STAINLESS STEEL

CARE & MAINTENANCE

Stainless steel is the top quality in terms of anti-corrosion, longevity and lower-than-low-maintenance. Here at Tait we use both electro and hand polished stainless steel. Looking after it is an easy task.

DO:

- Wash your stainless pieces regularly with soapy water and a clean cloth
- If necessary, a Scotch-Brite pad and extra elbow grease will do no harm
- Use a non-abrasive cream cleaner or commercial cleaner for more stubborn marks
- Clean in one direction along the original polish lines

DO NOT:

- Use steel wool or metallic scrapers
- Allow dirt to accumulate

A WORD ON TEA-STAINING

In a salty sea-air environ stainless steel can be prone to "tea-staining" (usually within 5km of the surf) recognisable by surface discolouration caused by a build-up of environmental elements.

Tea-staining is no cause for alarm as it is purely cosmetic and does not affect the structural integrity of the material. An electro-polished finish will reduce the occurrence of tea staining, but should it occur, it will clean right off with hot soapy water and a bit of elbow grease.

Careless handling, treatment or misuse of our products can result in damage and is not covered under our manufacturer's warranty.

WARRANTY

Tait provides a 5-year warranty on stainless steel framework against structural defects. The corrosion of stainless steel and steel parts due to use in a confined chlorinated environment or as a result of direct use in harsh seafront locations which are not covered under warranty. Tea staining will occur on Stainless Steel and is not covered by the Tait warranty.

FABRIC

MELBOURNE 209-211 SMITH ST. FITZROY 3065 SYDNEY 4/9 DANKS ST. WATERLOO 2017

BRISBANE 110 ARTHUR STREET. FORTITUDE VALLEY 4066 ONLINE WWW.MADEBYTAIT.COM.AU

PLEASE CONSIDER THE ENVIRONMENT BEFORE PRINTING

How to care for your Billy Chair - Timber

Tait.

How to care for your Billy Chair – Timber

Tait.

CARE & MAINTENANCE

As a leading manufacturer of outdoor design built to withstand harsh elements, we take pride in helping you get the most out of your Tait pieces. Much like owning a luxury tailored suit or dress, we recommend some key measures to ensure your fabric upholstery maintains its high performance and good looks for many years to come.

Tait recommends a select range of premium, high-performance, exterior-grade upholstery options, these fit-for-purpose fabrics have been hand-picked from a number of trusted textile suppliers worldwide. Constructed with the highest quality man-made yarns suited to outdoor extremities, these fabrics are advantageous for their inherent stain resistance, colour-fast resilience and durable qualities. In addition, many of these fabrics feature advanced technologies in their construction including solution-dyed olefin and acrylic, as well as Trevira CS flame retardance. Tait's range of selected fabrics has been used extensively and has performed exceptionally across numerous commercial and residential projects worldwide. Due to their ability to perform and cope under demanding pressures this selection of fabrics from Tait's tried and trusted range.

While individual fabrics will each have their own set of care and maintenance requirements as outlined by the supplier, the following provides general information to assist you in the best care for your upholstered items.

RECOMMENDATIONS

- Where upholstery products are continually exposed to the elements (uncovered location), it's highly recommended to keep upholstered seating protected where possible or to store any seat cushions when not in use. This will lengthen the life of your upholstery.
- When not in use, we recommend storing upholstery in sheltered places and/or covering it with waterproof protection. In this case, it is advisable to remove the cover and ventilate the product regularly to avoid the onset of any stains due to damp.
- When constantly exposed to the elements (including pollutants such as dirt, abrasants etc) outdoor fabrics will begin to degrade without care and maintenance. Just as timber and metal materials are affected by weathering, as too are fabrics.
- As with indoor materials, it is also essential that fabrics are vacuumed and cleaned regularly. Detritus; including food, bird or bat excrement, seeds, fruits, flowers from overhanging vegetation, can all have lasting impact on fabrics. We recommend removing these from the fabric surfaces as soon as possible to ensure the fabric looks its best for as long as possible.
- Organic matter specifically contains natural chemicals and acids, these will not only affect textiles, but also other materials including timber, paint and concrete.
- To prolong the life of the product, clean surfaces regularly and dry them with a clean cloth.
- Remove any stagnant water, especially if exposed to locations with a high level of humidity or a marine climate.
- It is always recommended to scrape any stains or spills off the surface of the fabric and carefully spot clean with soapy water. Make sure it is rinsed well with clean water afterwards to remove any remaining soap.
- Many outdoor fibres are so resilient that we even recommend cleaning with diluted bleach solution for very stubborn stains and marks. Please always check the care details with the fabric supplier prior to using a bleach solution on the fabric.

DO NOT

- Remove covers or machine-wash any upholstered items, as this may result in fabric shrinkage and foam distortion.
- Store away or cover upholstered items that are damp or wet, as this may result in mould or mildew forming. Ensure upholstery is completely dry before storing or covering.
- Dry clean or steam clean outdoor fabrics.

VOLLEY ROPE

This is a high-strength, UV-stable polyester rope. To clean it, use a damp cloth with a solution of warm water and mild soap, then rinse with another damp cloth with water only. Allow to air dry. If the stain is deep or dirt persists, re-wet the rope with soap and water and rub with a soft plastic bristle brush. Rinse and let dry.

WARRANTY

- Fabrics, even if intended for outdoor use, may still be attacked over time by atmospheric pollutants. Any changes in the surface and in colours may therefore occur under particular conditions of exposure to said pollutants and cannot be considered grounds for a warranty claim.
- Outdoor fabrics are lined unglued, therefore any creasing in the upholstery is an inevitable consequence of use and cannot be considered grounds for a warranty claim.
- All fabrics used by Tait are bound by the fabric supplier's own warranty. Please refer to individual fabric suppliers for detailed information on care and maintenance.
- The warranty is extended to the invoiced purchaser only. Any claims must be by the invoiced purchaser.
- Tait provides no warranty direct or indirect, implied or referred.
- The application of third party fabric treatments will void upholstery warranty.
- Tait offers a 1-year warranty on upholstery components, this includes foam and finishing (stitches, zips etc).
- Optional furniture covers purchased are not included in Tait's warranty and are bound by the individual furniture cover supplier.

THIS WARRANTY WILL NOT COVER DEFECTS OR IMPERFECTIONS RESULTING FROM THE PASSAGE OF TIME OR DUE TO WEAR AND TEAR INCURRED BY NORMAL USE OF THE PRODUCT.

SUSTAINABLE TIMBER

MELBOURNE 209-211 SMITH ST. FITZROY 3065 SYDNEY 4/9 DANKS ST. WATERLOO 2017

BRISBANE 110 ARTHUR STREET. FORTITUDE VALLEY 4066 ONLINE WWW.MADEBYTAIT.COM.AU

PLEASE CONSIDER THE ENVIRONMENT BEFORE PRINTING

How to care for your Billy Chair - Timber

Tait.

How to care for your Billy Chair – Timber



CARE & MAINTENANCE

Tait selects premium Accoya Timber and Smoked Oak engineered timbers that provide superior rot-resistance, defy the elements and stay strong for decades and are manufactured using clean technologies and sustainably sourced.

Accoya® Timber is modified by acetylation. Acetylation is a non-toxic process in which radiata pine is soaked in an organic compound related to vinegar, making the wood more resistant to moisture, insects, and rot.

Smoked Oak is thermally modified timber. Thermally modified timber is heated using a totally 'green' chemical-free process to permanently change its properties. Essentially, the timber stops absorbing water and becomes a stable, durable product that resists shrinkage, swelling, decay, rot, mould and insect attack.

Tait's Osmo oil finish is specially formulated for high-performance timbers. To comply with warranty requirements, cleaning and maintenance of timbers are obligatory.

Surface clean the timber components of your outdoor furniture pieces at least twice a year. Wash the surfaces thoroughly with a soft cloth, using warm soapy water to remove dust, grime and insects. A build-up of dust and grime can lead to the increased growth of green algae, mould and other surface fouling. Always rinse well with water, to remove any remaining detergent and allow to dry.

Avoid pressure washing, abrasive cleansers, steel brushes/wools and cleaners containing chlorine. Never use strong solvents to clean timber surfaces. Aggressive solvents such as turpentine, white spirits, thinners, citrus based cleaners, Spray and Wipe, and other aggressive solvents are harmful to the extended life of the timber.

Recoating your timber

To restore the original appearance of timber please contact Tait's customer service (customerservice@madebytait.com.au) to request a maintenance kit and follow the Osmo Oil Reapplication Guide (under "Dimension Specs - Download Assets" on the website product page of your Tait product).

When placing a furniture cover over any table for an extended period of time, it is recommended to first place an empty plastic pot plant in the centre of the table, then placing the furniture cover over the top. This will prevent the possibility of the furniture cover adhering to the table surface.

Careless handling, treatment or misuse of our products can result in damage and is not covered under our manufacturer's warranty.

WARRANTY

Accoya® timber is perfect for exterior furniture applications. The Accoya® timber component is covered for 1 year from the date of purchase, subject to proper maintenance by the purchaser and fair wear and tear. Accoya timber is treated Radiata Pine, is a softwood therefore subject to denting.

Smoked Oak is a thermally modified timber. The Smoked Oak timber component is covered for 1 year from the date of purchase, subject to proper maintenance by the purchaser and fair wear and tear.

End and surface checking may appear and is not claimable under warranty.

Any changes in the visual appearance of timber that are directly linked to ageing are not covered by warranty. As timber is a living material, the appearance of its surface evolves naturally over time.

Tait recommends maintenance as required with Osmo Oil to reduce colour loss, dryness and weathering. Engineered timbers that have been treated with tinted Osmo Oil may fade when placed in direct sunlight. This is not covered by the Tait warranty.

The warranty does not cover product damage caused by the build-up of mould due to environmental factors such as wet weather, damp and humidity

Tait assumes no responsibility for product damage caused by the use of furniture covers.

SUITABLE FOR



OUTDOORS



HIGH UV

FEATURES



MADE IN AUSTRALIA



RECYCLABLE MATERIALS



SUSTAINABLE TIMBER



5 YEAR STRUCTURAL WARRANTY