

Good One Table Technical Specifications

Tait.

UPDATED - 14.05.24



With signature punched cross symbol, the Good One Table is an industrial style outdoor table prized for its clean composition, industrial aesthetic, practicality and durability within outdoor contexts.

Uncomplicated, laidback and instantly recognisable as a Tait classic, Good One slides effortlessly into any social situation be it home, work or recreation.

- Aluminium sheet
- UV stable powder coat
- Protective rubber stacking bumper
- UV stable nylon glides
- All Good One products are stackable

The Good One story began in New Zealand as a humble café stool, initially created by industrial designer, Alastair Keating.

Developed and launched by Tait in 2011, Good One is now a cohesive series of dining tables, benches and stools renowned for its clean composition, industrial aesthetic, practicality and durability within outdoor contexts.

Featuring a signature punched-cross symbol across the collection, Good One is uncomplicated, laidback and instantly recognisable as a Tait classic.

Manufactured with powder-coated aluminium sheets that are folded in construction and customisable in a range of sizes and powder coat colours, Good One can stand alone, mix seamlessly with existing pieces, or blend with other Tait collections.

Outside or in, Good One slides effortlessly into any social situation be it home, work or recreation and is revered by architects and designers alike for its ability to speak to a range of residential and commercial contexts.

Good One can be customised in a range of sizes, with a full range of powder-coat options in UV-stable colours available through Tait showrooms and agents.

All pieces of the Good One collection can be comfortably stacked when not in use with fixing options, rubber stacking bumpers to protect powder-coat finishes and high-wear glides to protect the furniture on any surface.

As with all products made by Tait, Good One provides the assurance of genuine local manufacture using sustainable methodologies, quality craftsmanship supported with a manufacturer guarantee and product longevity.

Spanning commercial to residential and hospitality to corporate applications, each piece in this collection is designed for outdoor use, though is equally at home indoors.

See Tait's Table & Seating Guide for an indication of how many seats may fit this table.

All Tait pieces are made locally and come with a 5-year structural warranty.

Tait's original designs are protected under design registration and copyright.



POWDER COAT

TEXTURED POWDER COAT COLOURS



Basalt Textured	Shale Grey Textured	Mountain Blue Textured	Banksia Leaf Textured	Black Textured	Burgundy Clay Textured	Core Ten Textured	Deep Ocean Textured	Headland Textured	Jasper Textured	Monument Textured	Ochre Textured
--------------------	------------------------	------------------------------	--------------------------	-------------------	------------------------------	----------------------	------------------------	----------------------	--------------------	----------------------	-------------------



Pale Eucalypt Textured	Paperbark Textured	Surfmist Textured	Teal Sea Textured	White Textured	Woodland Grey Textured
------------------------------	-----------------------	----------------------	----------------------	-------------------	------------------------------

STANDARD POWDER COAT COLOURS



Smoke Blue	Black Ace	Cottage Green	Dark Bronze	Monument	Pale Eucalypt	Paperbark	Surfmist Satin	White Satin	Woodland Grey
------------	-----------	------------------	-------------	----------	------------------	-----------	-------------------	-------------	------------------

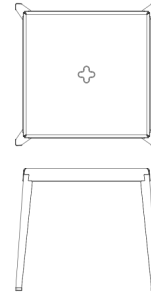
2 - 4 SEATER TABLE (750 SQUARE)

750mm_w

750mm_D

730mm_H

86.5in W x 34.25in D x 26.5in. H



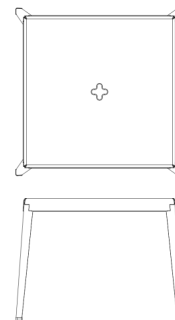
4 - 6 SEATER TABLE (900 SQUARE)

900mm_w

900mm_D

730mm_H

86.5in W x 34.25in D x 26.5in. H



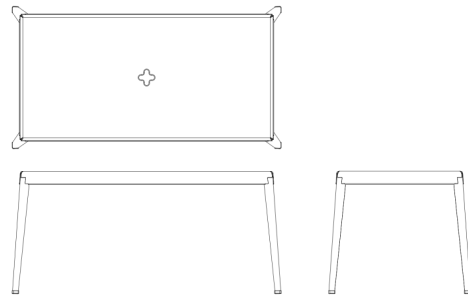
6 SEATER TABLE

1500mm_w

750mm_D

730mm_H

86.5in W x 34.25in D x 26.5in. H



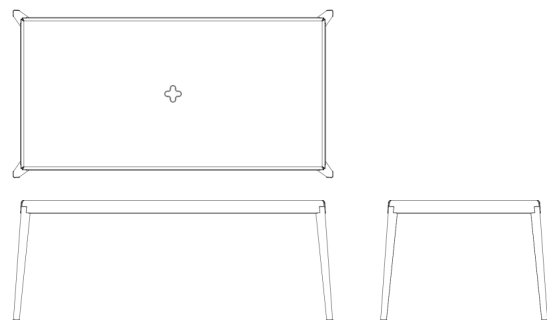
6 - 8 SEATER TABLE

1800mm_w

900mm_D

730mm_H

86.5in W x 34.25in D x 26.5in. H



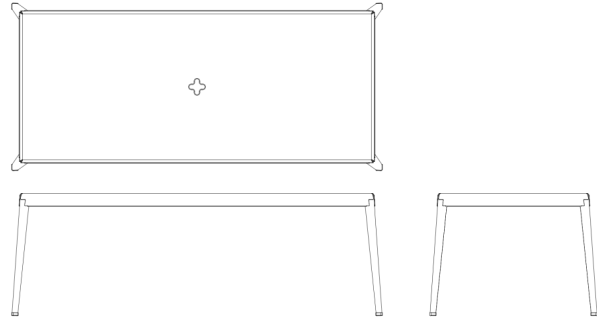
6 - 8 SEATER TABLE

2100mm_w

900mm_D

730mm_H

86.5in W x 34.25in D x 26.5in. H



How to care for your Good One Table



GENERAL CARE

At Tait, we make products for life. Our products are crafted from high-performance materials designed to withstand the diverse Australian elements. We nurture our craft, combining timeless and cutting-edge designs with beautiful finishes in order to elevate your outdoor (or indoor) experience.

Our collections are handcrafted from weather-resistant materials, making each piece a durable choice. In order to maintain their look and feel over time, Tait items need ongoing care and maintenance. The frequency of maintenance will vary depending on the level of care you want to provide, your personal standards and requirements as well as the environment within which the product lives.

Careless handling, treatment or misuse of our products can result in damage and is not covered under our five-year structural warranty. Please click through to the care instructions relevant to the specific materials and finishes of your product, and refer to the list to the right for warranty exclusions.

EXCLUSIONS

The warranty does not cover damage from mishandling, misuse, physical or chemical abuse, by not following proper care and maintenance instructions, accidental damage, damage from chipping, cracking, impact damage or breaking due to customer abuse.

- The warranty does not cover fading or natural ageing of the timber, non-structural defects in the timber, naturally occurring timber features, surface and end checking, or lack of maintenance leading to an acceleration of any of these issues.
- The warranty does not cover corrosion originating from scratches or abrasions that result from general wear and tear and which cannot be removed via standard cleaning and maintenance processes.
- The warranty does not cover any occurrence of any detritus, organic or man-made matter settling on the product surface. The warranty excludes buildup of mineral deposits leaching from soils and fertilisers, should it occur on Tait's planters. Nor does this warranty cover any product corrosion directly caused by aforementioned matter.
- The warranty does not cover minor corrosion spots at the weld joints: under table tops, bases and seat frames. These do not affect the structural integrity of the product and are a natural outcome of the material used.
- The warranty does not cover the corrosion of steel furniture and parts, including stainless steel, as a result of direct use in harsh seafront locations or in a confined, chlorinated environment.
- The warranty does not cover product damage caused by the build-up of mould due to environmental factors such as wet weather, damp and humidity
- The warranty does not apply to normal wear and tear or natural fading of the materials used.
- The warranty does not apply to any variances in colour, shade or gloss level of finishes, stone tops and timbers.
- The warranty does not cover products that the customer decides they do not like following delivery, including to colour, fabric, timber or other opinions based on personal preference.
- Tait shall not be liable for, and specifically excludes, any claims caused directly or indirectly by any event or matter beyond its control, including incidental, consequential or contingent damages suffered as a result of the use of the furniture or a breach of this warranty either written or implied.
- All products purchased at a sale price are subject to the specific warranty conditions outlined on sale invoice.
- The warranty does not cover transportation costs for replacement parts and products or labour costs for repair. These costs may be charged at our discretion.
- The warranty does not cover goods which have been held in storage for any period. This is due to the potential impact of environmental extremities which may be present within certain storage facilities.

The above Tait warranty terms are accepted by the customer and end-user upon order and supply.

POWDER COAT

CARE & MAINTENANCE

Wash regularly with warm soapy water and mild detergent using a soft cloth. For commercial, industrial or marine environments we recommend monthly maintenance. Always rinse well with water, to remove any remaining detergent.

Avoid steam cleaning, pressure washing, abrasive cleansers, steel brushes/wools and cleaners containing chlorine. Avoid scratching the surface by dry dusting. Never use strong solvents to clean powder coated surfaces. Aggressive solvents such as turpentine, white spirits, thinners, citrus based cleaners, Spray and Wipe, and other aggressive solvents are harmful to the extended life of the powder coated surface. Do not allow detritus, organic or man-made matter to settle on the product surface. We recommend removing any buildup of mineral deposits leaching from soils and fertilisers, should it occur on Tait's planters.

Rough treatment of powder-coated furniture can result in chipping of the coated surface; this is not covered under warranty.

Most Tait products come with protective fittings - stacking glides, bumpers, socks/feet and glides. These aid in protection against chipping and scratching. Powder coated chairs are designed to be set in place gently.

Touch-up paint may be purchased on request. It is advisable to repair minor nicks and scratches as soon as they appear.

When placing a furniture cover over a table for an extended period of time, it is recommended to first place an empty plastic pot plant in the centre of the table, then placing the furniture cover over the top. This will prevent the possibility of the furniture cover adhering to the table surface.

Should you wish to touch up any blemishes which may occur, please contact your nearest Tait showroom and request a Powder Coat Touch Up Kit. Please follow our Powder Coat Touch Up

How to care for your Good One Table

Tait.

Guide (available under 'Dimensions and Specs - Download Assets' on the product page) for application details.

WARRANTY

Powder coat is a decorative finish for indoor and outdoor use. While it assists with metal protection, it is not a corrosion protection in its own right. The components of Tait powder coated products are produced in either aluminium, stainless steel or mild steel.

The mild steel base materials are treated with two levels of pre-protection that guard against corrosion. The products are then powder coated to make the surface resistant to corrosion and suitable for use in exterior environments.

Minor corrosion spots at the weld joins - under table tops, bases and seat frames, may be evident on mild steel products. These do not affect the structural integrity of the product and are not covered by the Tait warranty.

Whilst every care is taken to provide the most suitable finish according to the use and the environment the product will be subjected to, Tait cannot guarantee this decorative finish against scratching, scuffing, chipping, fading or corrosion as a result of use in harsh seafront, extreme or environments where chlorine is present.

Tait offer a range of powder coat colours which offer excellent UV stability and are suitable for use in outdoor applications. Whilst powder coat offers excellent colour retention, natural fading is not covered under the Tait warranty. To ensure longevity of this finish please refer to the care and maintenance.

The warranty does not cover any occurrence of detritus, organic or man-made matter settling on the product surface. The warranty also excludes buildup of mineral deposits leaching from soils and fertilisers, should it occur on the surface of Tait's planters. Nor does this warranty cover any product corrosion directly caused by aforementioned matter.

Tait assume no responsibility for product damage caused by the use of furniture covers.

SUITABLE FOR



OUTDOORS



HIGH UV

FEATURES



MADE IN AUSTRALIA



RECYCLABLE MATERIALS



5 YEAR STRUCTURAL WARRANTY