

# Trace Coffee Table

## Technical Specifications

**Tait.**

UPDATED · 18.09.25



Defined by its dynamic interplay of materials, trademark detailing and elegant proportion, the Trace Coffee Table is a luxury outdoor coffee table. Designed by Adam Goodrum for Tait, it is an exploration of texture, colour and substance. High-performance materials that have been engineered to withstand harsh environmental conditions, Trace's enduring beauty is matched only by its resilience.

## FEATURES

- Aluminium frame
- Detachable powder coated aluminium legs
- UV stable powder coat
- Sustainable timber or Porcelain top options
- UV stable nylon glides

Refined luxury, elegant form and sensory detail define the Trace Coffee Table. Designed by [Adam Goodrum](#), Trace is contemporary, original and considered.

Characterised by a dynamic interplay of materials, trademark detailing and lavish proportions, the Trace collection is an exploration of texture, colour and form. Goodrum's fascination with generous form, woven detail and material continuity reveals itself throughout the collection.

The Trace Collection is esteemed by architects and designers alike for its ability to speak to a wide range of residential and commercial contexts as well as the assurance of quality craftsmanship and longevity.

A fully resolved and comprehensive resort-style collection comprising an [Armchair](#), [Sofa](#), [Modular System](#), [Sunlounge](#), [Coffee Table](#), [Drinks Trolley](#), [Planters](#), [Dining Table](#) and [Bench Seating](#). Trace is the ultimate expression of outdoor luxury.

Fabricated and assembled with expert craftsmanship, employing aluminium, stainless steel mesh, sustainable timbers and marbled porcelain materials, Trace's enduring beauty is matched by its resilience.

All Tait pieces are made locally and come with a 5-year warranty.

Tait's original designs are protected under design registration and copyright.

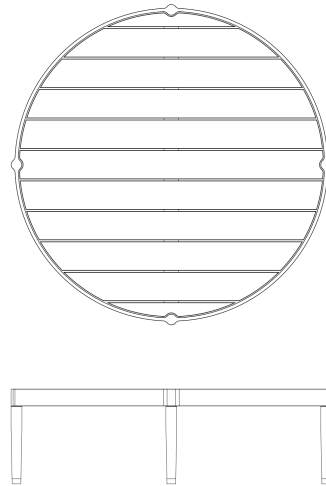
## ROUND - LOW

950mm<sub>W</sub>

950mm<sub>D</sub>

290mm<sub>H</sub>

86.5in W x 34.25in D x 26.5in. H



---

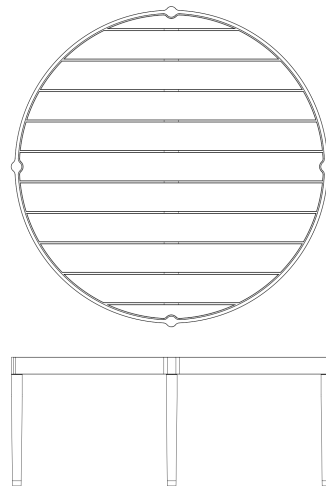
## ROUND - HIGH

950mm<sub>W</sub>

950mm<sub>D</sub>

390mm<sub>H</sub>

86.5in W x 34.25in D x 26.5in. H



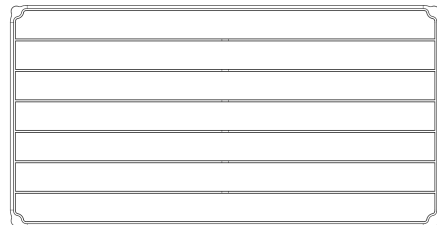
## RECTANGLE - LOW

1270mm<sub>w</sub>

655mm<sub>D</sub>

290mm<sub>H</sub>

86.5in W x 34.25in D x 26.5in. H



---

## RECTANGLE - HIGH

1270mm<sub>w</sub>

655mm<sub>D</sub>

390mm<sub>H</sub>

86.5in W x 34.25in D x 26.5in. H



## FRAME COLOUR

### TEXTURED POWDER COAT COLOURS



Banksia Leaf  
Textured

Basalt  
Textured

Black  
Textured

Burgundy  
Clay  
Textured

Corten  
Textured

Deep Ocean  
Textured

Headland  
Textured

Jasper  
Textured

Monument  
Textured

Ochre  
Textured

Pale  
Eucalypt  
Textured

Paperbark  
Textured



Shale Grey  
Textured

Surfmist  
Textured

Teal Sea  
Textured

White  
Textured

Woodland  
Grey  
Textured

Mountain  
Blue  
Textured

## TOP OPTION

### TIMBER



Accoya Black    Accoya Natural    Accoya Silver Grey    Accoya White    Spotted Gum    Accoya Dark Brown    Accoya Headland    Accoya Mountain Blue    Accoya Sunshine

### PORCELAIN



Porcelain Black Marbled    Porcelain White Marbled    Porcelain Cement Grey    Porcelain Macchia Gold    Porcelain Travertine

## SUITABLE FOR



OUTDOORS



HIGH UV



COASTAL

## FEATURES



MADE IN AUSTRALIA



RECYCLABLE MATERIALS



AWARDED DESIGN



SUSTAINABLE TIMBER



10 YEAR STRUCTURAL WARRANTY