

Trace Modular Technical Specifications

Tait.

UPDATED - 23.04.24



Refined luxury, alluring forms and detail define Trace, our outdoor lounge collection designed by Australian Industrial designer, Adam Goodrum for Tait. Synonymous with the charm and warmth of the Australian outdoor lifestyle, Trace is contemporary, original and considered, responding to the blurring of lines between indoor and outdoor spaces.

- Powder coated aluminium tube frame
- Detachable powder coated aluminium legs
- UV stable powdercoat
- Marine grade stainless steel mesh
- Reticulated foam cushioning
- A range of premium outdoor fabrics can be specified for upholstery and scatter cushions
- Porcelain or sustainable timber side table top options
- UV stable nylon glides
- Optional addition of the Trace Easy Table

Characterised by a dynamic interplay of materials, trademark detailing and lavish proportions, the Trace collection is an exploration of texture, colour and form. Goodrum's fascination with generous form, woven detail and material continuity reveals itself throughout the collection.

The Trace Collection is esteemed by architects and designers alike for its ability to speak to a wide range of residential and commercial contexts as well as the assurance of quality craftsmanship and longevity.

A fully resolved and comprehensive resort-style collection comprising an [Armchair](#), [Sofa](#), [Modular System](#), [Sunlounge](#), [Coffee Table](#), [Drinks Trolley](#), [Planters](#), [Dining Table](#) and [Bench Seating](#), Trace is the ultimate expression of outdoor luxury.

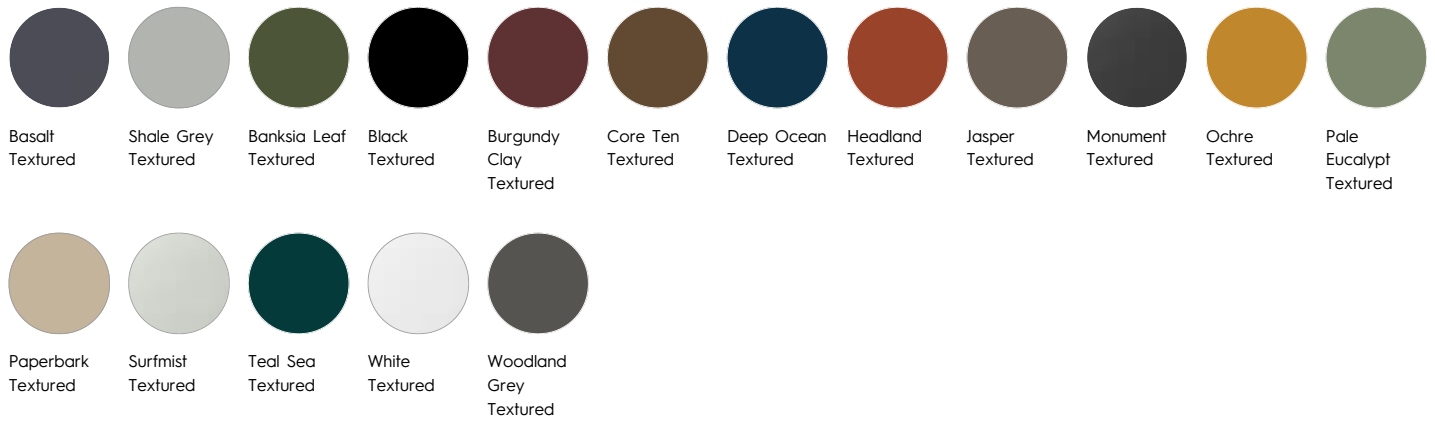
Fabricated and assembled with expert craftsmanship, employing aluminium, stainless steel mesh, sustainable timbers and marbled porcelain materials, Trace's enduring beauty is matched by its resilience.

All Tait pieces are made locally and come with a 5-year warranty. Tait's original designs are protected under design registration and copyright.

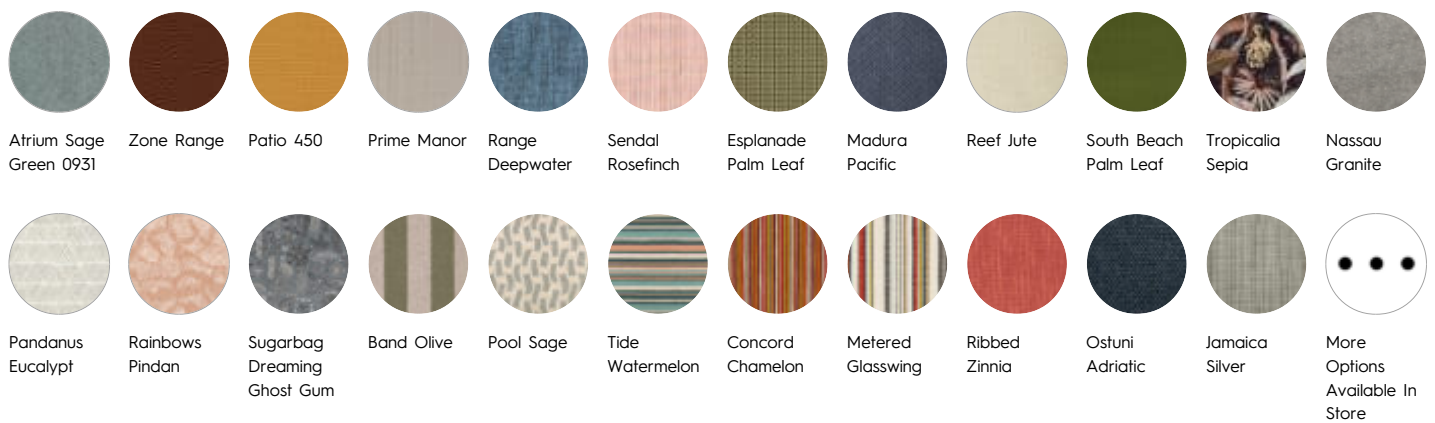


POWDER COAT

TEXTURED POWDER COAT COLOURS



FABRIC SAMPLES



SIDE TABLE



Accoya
Black



Accoya
Natural



Accoya
Silver Grey



Accoya
White



Porcelain
Black
Marbled



Porcelain
White
Marbled

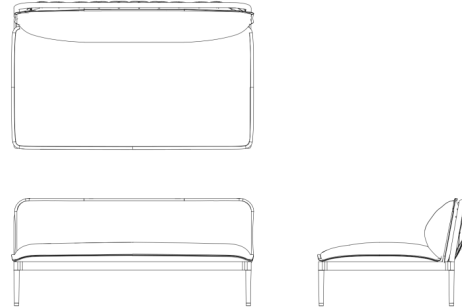


Smoked
Oak

CENTRE MODULE

1400mm_w
870mm_D
670mm_H

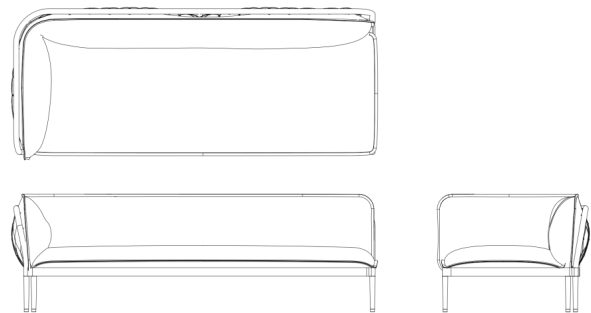
86.5in W x 34.25in D x 26.5in. H
420mm Seat Height



LEFT HAND MODULE

2130mm_w
870mm_D
670mm_H

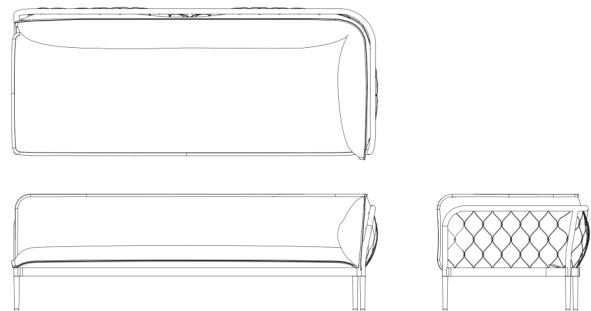
86.5in W x 34.25in D x 26.5in. H



RIGHT HAND MODULE

2130mm_w
870mm_D
670mm_H

86.5in W x 34.25in D x 26.5in. H



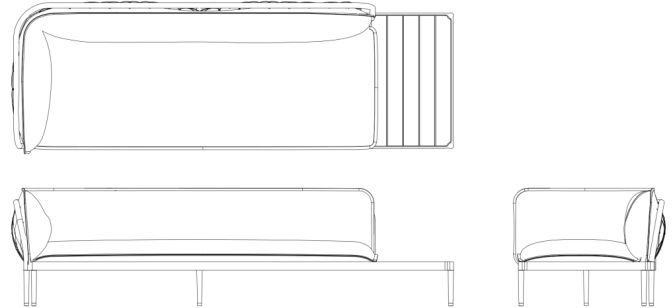
LEFT HAND MODULE WITH SIDE TABLE

2600mm_w

870mm_D

670mm_H

86.5in W x 34.25in D x 26.5in. H



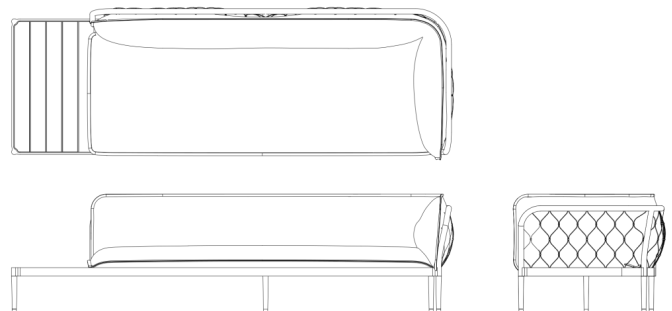
RIGHT HAND MODULE WITH SIDE TABLE

2600mm_w

870mm_D

670mm_H

86.5in W x 34.25in D x 26.5in. H



POWDER COAT

CARE & MAINTENANCE

Wash regularly with warm soapy water and mild detergent using a soft cloth. For commercial, industrial or marine environments we recommend monthly maintenance. Always rinse well with water, to remove any remaining detergent.

Avoid steam cleaning, pressure washing, abrasive cleansers, steel brushes/wools and cleaners containing chlorine. Avoid scratching the surface by dry dusting. Never use strong solvents to clean powder coated surfaces. Aggressive solvents such as turpentine, white spirits, thinners, citrus based cleaners, Spray and Wipe, and other aggressive solvents are harmful to the extended life of the powder coated surface. Do not allow detritus, organic or man-made matter to settle on the product surface. We recommend removing any buildup of mineral deposits leaching from soils and fertilisers, should it occur on Tait's planters.

Rough treatment of powder-coated furniture can result in chipping of the coated surface; this is not covered under warranty.

Most Tait products come with protective fittings - stacking glides, bumpers, socks/feet and glides. These aid in protection against chipping and scratching. Powder coated chairs are designed to be set in place gently.

Touch-up paint may be purchased on request. It is advisable to repair minor nicks and scratches as soon as they appear.

When placing a furniture cover over a table for an extended period of time, it is recommended to first place an empty plastic pot plant in the centre of the table, then placing the furniture cover over the top. This will prevent the possibility of the furniture cover adhering to the table surface.

Should you wish to touch up any blemishes which may occur, please contact your nearest Tait showroom and request a Powder Coat Touch Up Kit. Please follow our Powder Coat Touch Up Guide (available under 'Dimensions and Specs - Download Assets' on the product page) for application details.

WARRANTY

Powder coat is a decorative finish for indoor and outdoor use. While it assists with metal protection, it is not a corrosion protection in its own right. The components of Tait powder coated products are produced in either aluminium, stainless steel or mild steel.

The mild steel base materials are treated with two levels of pre-protection that guard against corrosion. The products are then powder coated to make the surface resistant to corrosion and suitable for use in exterior environments.

Minor corrosion spots at the weld joints - under table tops, bases and seat frames, may be evident on mild steel products. These do not affect the structural integrity of the product and are not covered by the Tait warranty.

Whilst every care is taken to provide the most suitable finish according to the use and the environment the product will be subjected to, Tait cannot guarantee this decorative finish against scratching, scuffing, chipping, fading or corrosion as a result of use in harsh seafront, extreme or environments where chlorine is present.

Tait offer a range of powder coat colours which offer excellent UV stability and are suitable for use in outdoor applications. Whilst powder coat offers excellent colour retention, natural fading is not covered under the Tait warranty. To ensure longevity of this finish please refer to the care and maintenance.

The warranty does not cover any occurrence of detritus, organic or man-made matter settling on the product surface. The warranty also excludes buildup of mineral deposits leaching from soils and fertilisers, should it occur on the surface of Tait's planters. Nor does this warranty cover any product corrosion directly caused by aforementioned matter.

Tait assume no responsibility for product damage caused by the use of furniture covers.

SUSTAINABLE TIMBER

CARE & MAINTENANCE

Tait selects premium Accoya Timber and Smoked Oak engineered timbers that provide superior rot-resistance, defy the elements and stay strong for decades and are manufactured using clean technologies and sustainably sourced.

Accoya® Timber is modified by acetylation. Acetylation is a non-toxic process in which radiata pine is soaked in an organic compound related to vinegar, making the wood more resistant to moisture, insects, and rot.

Smoked Oak is thermally modified timber. Thermally modified timber is heated using a totally 'green' chemical-free process to permanently change its properties. Essentially, the timber stops

How to care for your Trace Modular



absorbing water and becomes a stable, durable product that resists shrinkage, swelling, decay, rot, mould and insect attack.

Tait's Osmo oil finish is specially formulated for high-performance timbers. To comply with warranty requirements, cleaning and maintenance of timbers are obligatory.

Surface clean the timber components of your outdoor furniture pieces at least twice a year. Wash the surfaces thoroughly with a soft cloth, using warm soapy water to remove dust, grime and insects. A build-up of dust and grime can lead to the increased growth of green algae, mould and other surface fouling. Always rinse well with water, to remove any remaining detergent and allow to dry.

Avoid pressure washing, abrasive cleansers, steel brushes/wools and cleaners containing chlorine. Never use strong solvents to clean timber surfaces. Aggressive solvents such as turpentine, white spirits, thinners, citrus based cleaners, Spray and Wipe, and other aggressive solvents are harmful to the extended life of the timber.

Recoating your timber

To restore the original appearance of timber please contact Tait's customer service (customerservice@madebytait.com.au) to request a maintenance kit and follow the Osmo Oil Reapplication Guide (under "Dimension Specs - Download Assets" on the website product page of your Tait product).

When placing a furniture cover over any table for an extended period of time, it is recommended to first place an empty plastic pot plant in the centre of the table, then placing the furniture cover over the top. This will prevent the possibility of the furniture cover adhering to the table surface.

Careless handling, treatment or misuse of our products can result in damage and is not covered under our manufacturer's warranty.

WARRANTY

Accoya® timber is perfect for exterior furniture applications. The Accoya® timber component is covered for 1 year from the date of purchase, subject to proper maintenance by the purchaser and fair wear and tear. Accoya timber is treated Radiata Pine, is a softwood therefore subject to denting.

Smoked Oak is a thermally modified timber. The Smoked Oak timber component is covered for 1 year from the date of purchase, subject to proper maintenance by the purchaser and fair wear and tear.

End and surface checking may appear and is not claimable under warranty.

Any changes in the visual appearance of timber that are directly linked to ageing are not covered by warranty. As timber is a living material, the appearance of its surface evolves naturally over time.

Tait recommends maintenance as required with Osmo Oil to reduce colour loss, dryness and weathering. Engineered timbers that have been treated with tinted Osmo Oil may fade when placed in direct sunlight. This is not covered by the Tait warranty.

The warranty does not cover product damage caused by the build-up of mould due to environmental factors such as wet weather, damp and humidity

Tait assumes no responsibility for product damage caused by the use of furniture covers.

PORCELAIN

CARE & MAINTENANCE

Porcelain is both stylish and practical. Tait recommends porcelain as it is one of the best low maintenance, durable and reliable surface options.

Being non-porous, porcelain is hygienic, it offers stain, scratch and thermal shock resistance and is suited for use in external environments. Because colour is fired into the tile's body, the colour will not fade even when exposed to direct sunlight and its colour-sucking UV rays.

In caring for your porcelain surface,

DO:

- Regular, basic cleaning with warm water, mild soap and a soft, non-abrasive cloth
- Use gentle, everyday multipurpose spray cleaner
- Immediately wash away stains such as red wine, food, oils and drinks
- For stubborn stains use a gentle, every day, non-abrasive, multipurpose spray cleaner, sugar soap, cream-based house cleaners or bicarbonate soda mixed with warm water
- Always dry your porcelain thoroughly after cleaning

DO NOT:

- Use cleaning products that contain acids, ammonia or other harsh chemicals
- Expose porcelain to permanent inks or dyes
- Use sharp utensils on a porcelain top
- Sit or stand on

When placing a furniture cover over a table for an extended period of time, it is recommended to first place an empty plastic pot plant in the centre of the table, then placing the furniture cover over the top. This will prevent the possibility of the furniture cover adhering to the table surface.

While porcelain is resistant to scratches, etches and stains, it is not damage proof. Careless handling, treatment or misuse of our products can result in damage and is not covered under our

How to care for your Trace Modular



manufacturer's warranty.

WARRANTY

Porcelain panels are scratch resistant, not scratch proof. They will easily withstand daily use. Always using cutting boards when preparing food, and avoid sliding heavy metallic objects along service, to protect it from scratching and scuffing.

Porcelain products are bound by the warranty of the supplier. Tait provides no warranty direct or indirect, implied or referred.

Tait assume no responsibility for product damage caused by the use of furniture covers.

FABRIC

CARE & MAINTENANCE

As a leading manufacturer of outdoor design built to withstand harsh elements, we take pride in helping you get the most out of your Tait pieces. Much like owning a luxury tailored suit or dress, we recommend some key measures to ensure your fabric upholstery maintains its high performance and good looks for many years to come.

Tait recommends a select range of premium, high-performance, exterior-grade upholstery options, these fit-for-purpose fabrics have been hand-picked from a number of trusted textile suppliers worldwide. Constructed with the highest quality man-made yarns suited to outdoor extremities, these fabrics are advantageous for their inherent stain resistance, colour-fast resilience and durable qualities. In addition, many of these fabrics feature advanced technologies in their construction including solution-dyed olefin and acrylic, as well as Trevira CS flame retardance. Tait's range of selected fabrics has been used extensively and has performed exceptionally across numerous commercial and residential projects worldwide. Due to their ability to perform and cope under demanding pressures this selection of fabrics from Tait's tried and trusted range.

While individual fabrics will each have their own set of care and maintenance requirements as outlined by the supplier, the following provides general information to assist you in the best care for your upholstered items.

RECOMMENDATIONS

- Where upholstery products are continually exposed to the elements (uncovered location), it's highly recommended to keep upholstered seating protected where possible or to store any seat cushions when not in use. This will lengthen the life of your upholstery.
- When not in use, we recommend storing upholstery in sheltered places and/or covering it with waterproof protection. In this case, it is advisable to remove the cover and ventilate the product regularly to avoid the onset of any stains due to damp.
- When constantly exposed to the elements (including pollutants such as dirt, abrasants etc) outdoor fabrics will begin to degrade without care and maintenance. Just as timber and metal materials are affected by weathering, as too are fabrics.
- As with indoor materials, it is also essential that fabrics are vacuumed and cleaned regularly. Detritus; including food, bird or bat excrement, seeds, fruits, flowers from overhanging vegetation, can all have lasting impact on fabrics. We recommend removing these from the fabric surfaces as soon as possible to ensure the fabric looks its best for as long as possible.
- Organic matter specifically contains natural chemicals and acids, these will not only affect textiles, but also other materials including timber, paint and concrete.
- To prolong the life of the product, clean surfaces regularly and dry them with a clean cloth.
- Remove any stagnant water, especially if exposed to locations with a high level of humidity or a marine climate.
- It is always recommended to scrape any stains or spills off the surface of the fabric and carefully spot clean with soapy water. Make sure it is rinsed well with clean water afterwards to remove any remaining soap.
- Many outdoor fibres are so resilient that we even recommend cleaning with diluted bleach solution for very stubborn stains and marks. Please always check the care details with the fabric supplier prior to using a bleach solution on the fabric.

DO NOT

- Remove covers or machine-wash any upholstered items, as this may result in fabric shrinkage and foam distortion.
- Store away or cover upholstered items that are damp or wet, as this may result in mould or mildew forming. Ensure upholstery is completely dry before storing or covering.
- Dry clean or steam clean outdoor fabrics.

VOLLEY ROPE

This is a high-strength, UV-stable polyester rope. To clean it, use a damp cloth with a solution of warm water and mild soap, then rinse with another damp cloth with water only. Allow to air dry. If the stain is deep or dirt persists, re-wet the rope with soap and water and rub with a soft plastic bristle brush. Rinse and let dry.

WARRANTY

How to care for your Trace Modular

- Fabrics, even if intended for outdoor use, may still be attacked over time by atmospheric pollutants. Any changes in the surface and in colours may therefore occur under particular conditions of exposure to said pollutants and cannot be considered grounds for a warranty claim.
- Outdoor fabrics are lined unglued, therefore any creasing in the upholstery is an inevitable consequence of use and cannot be considered grounds for a warranty claim.
- All fabrics used by Tait are bound by the fabric supplier's own warranty. Please refer to individual fabric suppliers for detailed information on care and maintenance.
- The warranty is extended to the invoiced purchaser only. Any claims must be by the invoiced purchaser.
- Tait provides no warranty direct or indirect, implied or referred.
- The application of third party fabric treatments will void upholstery warranty.
- Tait offers a 1-year warranty on upholstery components, this includes foam and finishing (stitches, zips etc).
- Optional furniture covers purchased are not included in Tait's warranty and are bound by the individual furniture cover supplier.

THIS WARRANTY WILL NOT COVER DEFECTS OR IMPERFECTIONS RESULTING FROM THE PASSAGE OF TIME OR DUE TO WEAR AND TEAR INCURRED BY NORMAL USE OF THE PRODUCT.

SUITABLE FOR



OUTDOORS



HIGH UV

FEATURES



MADE IN AUSTRALIA



RECYCLABLE MATERIALS



AWARDED DESIGN



SUSTAINABLE TIMBER



5 YEAR STRUCTURAL WARRANTY