

Voom Dining Table

Technical Specifications

Tait.

UPDATED - 01.03.24



Balance, form and a hint of Australian nostalgia emerge as subtle considerations with the release of the new Voom Dining Table. The release of the dining table builds on this strong collection handcrafted in Australia, designed to evoke gathering opportunities to suit diverse outdoor spaces.

- Rolled aluminium and stainless steel
- Available with porcelain travertine table top
- UV stable powder coat
- UV stable nylon glides
- All tables flat pack for shipping
- Optional fixing available

“The new Voom Dining Table is sculptural, bold, elegant and luxurious. The entire Voom collection transcends indoor-outdoor living. It’s quite retro. It’s like it’s had a past life. A modern classic,” Gordon Tait, Founding Director of Tait.

Unique both in design and materials, the Voom Collection, designed by [Adam Goodrum](#) for Tait is a fusion of soft form, versatility and modularity, with the highest quality manufacturing processes considered from end to end to create tactile and lasting pieces. Created to withstand harsh Australian conditions while providing opportunities for seamless reconfigurations for different functions and occasions, the collection is available in our distinctively Australian colour palettes, once again underpinned by our commitment to sustainability.

Created using rolled aluminium and stainless steel, the Dining Table is available in three lengths – 2100mm, 2400mm and 3000mm, with the option of a porcelain top. Pushing the boundaries between indoor and outdoor living, the Voom Collection can be placed in many configurations, with groupings of tables, loungers and ottomans creating new dining, sofa and sun lounge forms. The collection comprises the Voom Dining Table, Voom Lounger, Voom Ottoman, Voom Side Table, Voom Round Coffee Table and Voom Square Coffee Table.

See [Voom Dining Table Seating Guide](#) for an indication of how many seats may fit this table.

All Tait pieces are made locally and come with a 5-year warranty. Tait’s original designs are protected under design registration and copyright.



POWDER COAT

TEXTURED POWDER COAT COLOURS



Basalt Textured Shale Grey Textured Banksia Leaf Textured Black Textured Burgundy Clay Textured Core Ten Textured Deep Ocean Textured Headland Textured Jasper Textured Monument Textured Ochre Textured Pale Eucalypt Textured



Paperbark Textured Surfmist Textured Teal Sea Textured White Textured Woodland Grey Textured

TOP OPTION

PORCELAIN



Porcelain
Travertine

Voom Dining Table Dimensions

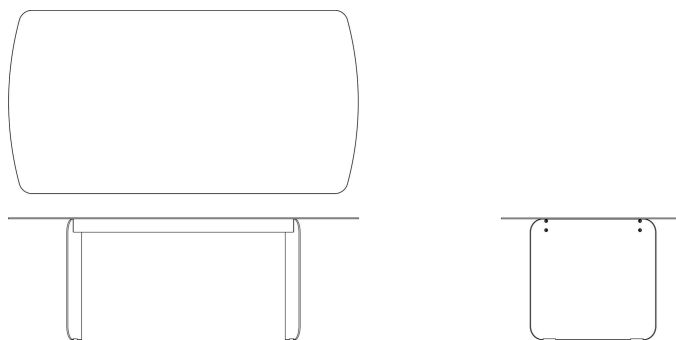
2100 X 1100

2100mm_w

1100mm_D

730mm_H

86.5in W x 34.25in D x 26.5in. H
Shipped flat packed



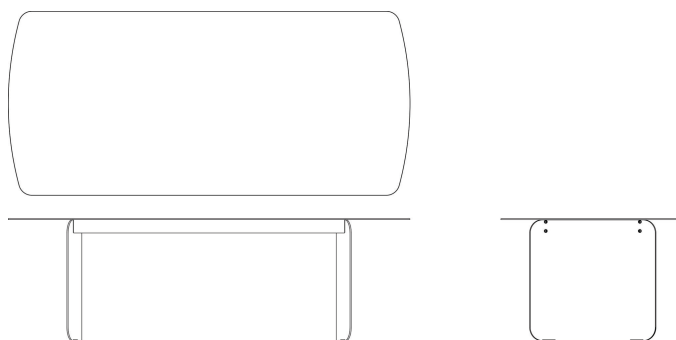
2400 X 1100

2400mm_w

1100mm_D

730mm_H

86.5in W x 34.25in D x 26.5in. H
Shipped flat packed



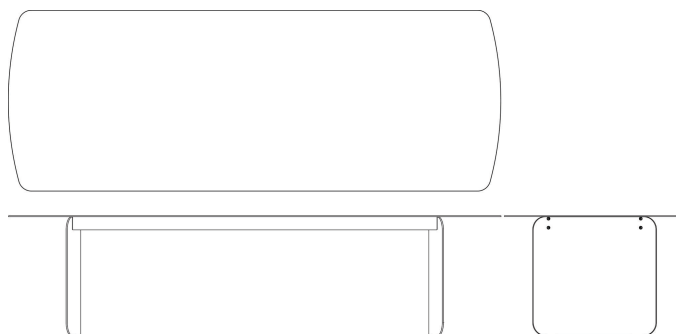
3000 X 1100

3000mm_w

1100mm_D

730mm_H

86.5in W x 34.25in D x 26.5in. H
Shipped flat packed



Voom Dining Table Dimensions

2100 X 1100 (PORCELAIN TOP)

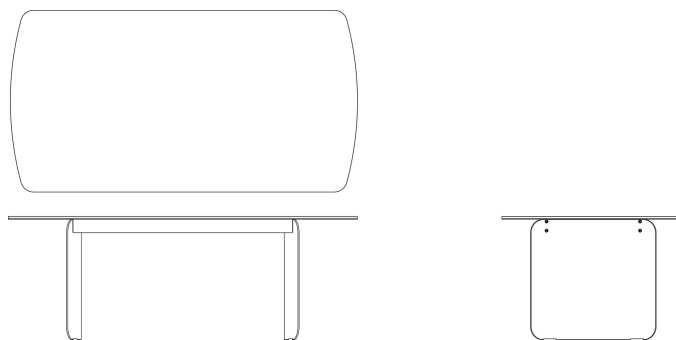
2100mm_w

1100mm_D

743mm_H

86.5in W x 34.25in D x 26.5in. H

Porcelain Table Top



2400 X 1100 (PORCELAIN TOP)

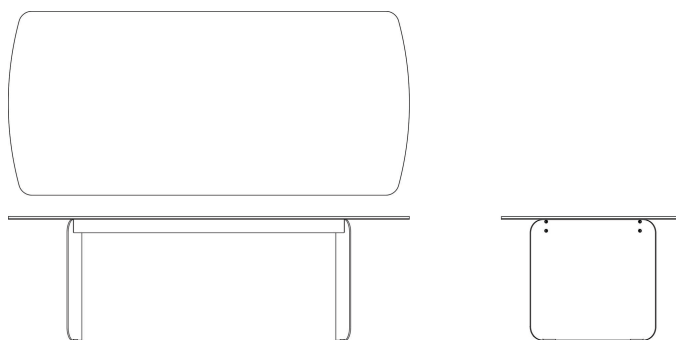
2400mm_w

1100mm_D

743mm_H

86.5in W x 34.25in D x 26.5in. H

Porcelain Table Top



3000 X 1100 (PORCELAIN TOP)

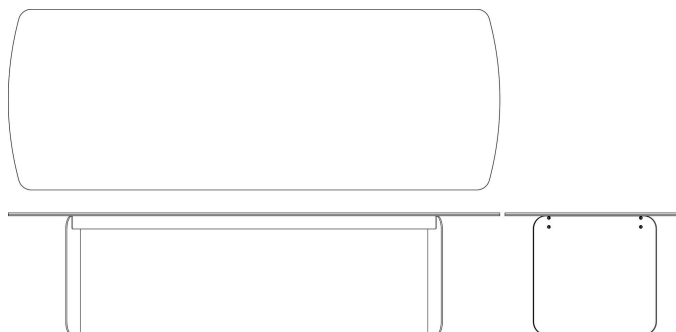
3000mm_w

1100mm_D

743mm_H

86.5in W x 34.25in D x 26.5in. H

Porcelain Table Top



How to care for your Voom Dining Table



GENERAL CARE

At Tait, we make products for life. Our products are crafted from high-performance materials designed to withstand the diverse Australian elements. We nurture our craft, combining timeless and cutting-edge designs with beautiful finishes in order to elevate your outdoor (or indoor) experience.

Our collections are handcrafted from weather-resistant materials, making each piece a durable choice. In order to maintain their look and feel over time, Tait items need ongoing care and maintenance. The frequency of maintenance will vary depending on the level of care you want to provide, your personal standards and requirements as well as the environment within which the product lives.

Careless handling, treatment or misuse of our products can result in damage and is not covered under our five-year structural warranty. Please click through to the care instructions relevant to the specific materials and finishes of your product, and refer to the list to the right for warranty exclusions.

EXCLUSIONS

The warranty does not cover damage from mishandling, misuse, physical or chemical abuse, by not following proper care and maintenance instructions, accidental damage, damage from chipping, cracking, impact damage or breaking due to customer abuse.

- The warranty does not cover fading or natural ageing of the timber, non-structural defects in the timber, naturally occurring timber features, surface and end checking, or lack of maintenance leading to an acceleration of any of these issues.
- The warranty does not cover corrosion originating from scratches or abrasions that result from general wear and tear and which cannot be removed via standard cleaning and maintenance processes.
- The warranty does not cover any occurrence of any detritus, organic or man-made matter settling on the product surface. The warranty excludes buildup of mineral deposits leaching from soils and fertilisers, should it occur on Tait's planters. Nor does this warranty cover any product corrosion directly caused by aforementioned matter.
- The warranty does not cover minor corrosion spots at the weld joints: under table tops, bases and seat frames. These do not affect the structural integrity of the product and are a natural outcome of the material used.
- The warranty does not cover the corrosion of steel furniture and parts, including stainless steel, as a result of direct use in harsh seafront locations or in a confined, chlorinated environment.
- The warranty does not cover product damage caused by the build-up of mould due to environmental factors such as wet weather, damp and humidity
- The warranty does not apply to normal wear and tear or natural fading of the materials used.
- The warranty does not apply to any variances in colour, shade or gloss level of finishes, stone tops and timbers.
- The warranty does not cover products that the customer decides they do not like following delivery, including to colour, fabric, timber or other opinions based on personal preference.
- Tait shall not be liable for, and specifically excludes, any claims caused directly or indirectly by any event or matter beyond its control, including incidental, consequential or contingent damages suffered as a result of the use of the furniture or a breach of this warranty either written or implied.
- All products purchased at a sale price are subject to the specific warranty conditions outlined on sale invoice.
- The warranty does not cover transportation costs for replacement parts and products or labour costs for repair. These costs may be charged at our discretion.
- The warranty does not cover goods which have been held in storage for any period. This is due to the potential impact of environmental extremities which may be present within certain storage facilities.

The above Tait warranty terms are accepted by the customer and end-user upon order and supply.

POWDER COAT

CARE & MAINTENANCE

Wash regularly with warm soapy water and mild detergent using a soft cloth. For commercial, industrial or marine environments we recommend monthly maintenance. Always rinse well with water, to remove any remaining detergent.

Avoid steam cleaning, pressure washing, abrasive cleansers, steel brushes/wools and cleaners containing chlorine. Avoid scratching the surface by dry dusting. Never use strong solvents to clean powder coated surfaces. Aggressive solvents such as turpentine, white spirits, thinners, citrus based cleaners, Spray and Wipe, and other aggressive solvents are harmful to the extended life of the powder coated surface. Do not allow detritus, organic or man-made matter to settle on the product surface. We recommend removing any buildup of mineral deposits leaching from soils and fertilisers, should it occur on Tait's planters.

Rough treatment of powder-coated furniture can result in chipping of the coated surface; this is not covered under warranty.

Most Tait products come with protective fittings - stacking glides, bumpers, socks/feet and glides. These aid in protection against chipping and scratching. Powder coated chairs are designed to be set in place gently.

Touch-up paint may be purchased on request. It is advisable to repair minor nicks and scratches as soon as they appear.

When placing a furniture cover over a table for an extended period of time, it is recommended to first place an empty plastic pot plant in the centre of the table, then placing the furniture cover over the top. This will prevent the possibility of the furniture cover adhering to the table surface.

Should you wish to touch up any blemishes which may occur, please contact your nearest Tait showroom and request a Powder Coat Touch Up Kit. Please follow our Powder Coat Touch Up

How to care for your Voom Dining Table

Tait.

Guide (available under 'Dimensions and Specs - Download Assets' on the product page) for application details.

WARRANTY

Powder coat is a decorative finish for indoor and outdoor use. While it assists with metal protection, it is not a corrosion protection in its own right. The components of Tait powder coated products are produced in either aluminium, stainless steel or mild steel.

The mild steel base materials are treated with two levels of pre-protection that guard against corrosion. The products are then powder coated to make the surface resistant to corrosion and suitable for use in exterior environments.

Minor corrosion spots at the weld joints - under table tops, bases and seat frames, may be evident on mild steel products. These do not affect the structural integrity of the product and are not covered by the Tait warranty.

Whilst every care is taken to provide the most suitable finish according to the use and the environment the product will be subjected to, Tait cannot guarantee this decorative finish against scratching, scuffing, chipping, fading or corrosion as a result of use in harsh seafront, extreme or environments where chlorine is present.

Tait offer a range of powder coat colours which offer excellent UV stability and are suitable for use in outdoor applications. Whilst powder coat offers excellent colour retention, natural fading is not covered under the Tait warranty. To ensure longevity of this finish please refer to the care and maintenance.

The warranty does not cover any occurrence of detritus, organic or man-made matter settling on the product surface. The warranty also excludes buildup of mineral deposits leaching from soils and fertilisers, should it occur on the surface of Tait's planters. Nor does this warranty cover any product corrosion directly caused by aforementioned matter.

Tait assume no responsibility for product damage caused by the use of furniture covers.

PORCELAIN

CARE & MAINTENANCE

Porcelain is both stylish and practical. Tait recommends porcelain as it is one of the best low maintenance, durable and reliable surface options.

Being non-porous, porcelain is hygienic, it offers stain, scratch and thermal shock resistance and is suited for use in external environments. Because colour is fired into the tile's body, the colour will not fade even when exposed to direct sunlight and its colour-sucking UV rays.

In caring for your porcelain surface,

DO:

- Regular, basic cleaning with warm water, mild soap and a soft, non-abrasive cloth
- Use gentle, everyday multipurpose spray cleaner
- Immediately wash away stains such as red wine, food, oils and drinks
- For stubborn stains use a gentle, every day, non-abrasive, multipurpose spray cleaner, sugar soap, cream-based house cleaners or bicarbonate soda mixed with warm water
- Always dry your porcelain thoroughly after cleaning

DO NOT:

- Use cleaning products that contain acids, ammonia or other harsh chemicals
- Expose porcelain to permanent inks or dyes
- Use sharp utensils on a porcelain top
- Sit or stand on

When placing a furniture cover over a table for an extended period of time, it is recommended to first place an empty plastic pot plant in the centre of the table, then placing the furniture cover over the top. This will prevent the possibility of the furniture cover adhering to the table surface.

While porcelain is resistant to scratches, etches and stains, it is not damage proof. Careless handling, treatment or misuse of our products can result in damage and is not covered under our manufacturer's warranty.

WARRANTY

Porcelain panels are scratch resistant, not scratch proof. They will easily withstand daily use. Always using cutting boards when preparing food, and avoid sliding heavy metallic objects along service, to protect it from scratching and scuffing.

Porcelain products are bound by the warranty of the supplier. Tait provides no warranty direct or indirect, implied or referred.

Tait assume no responsibility for product damage caused by the use of furniture covers.

How to care for your Voom Dining Table

Tait.

SUITABLE FOR



OUTDOORS



HIGH UV

FEATURES



MADE IN
AUSTRALIA



RECYCLABLE
MATERIALS



5 YEAR
STRUCTURAL
WARRANTY